

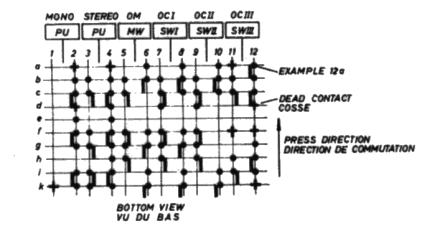
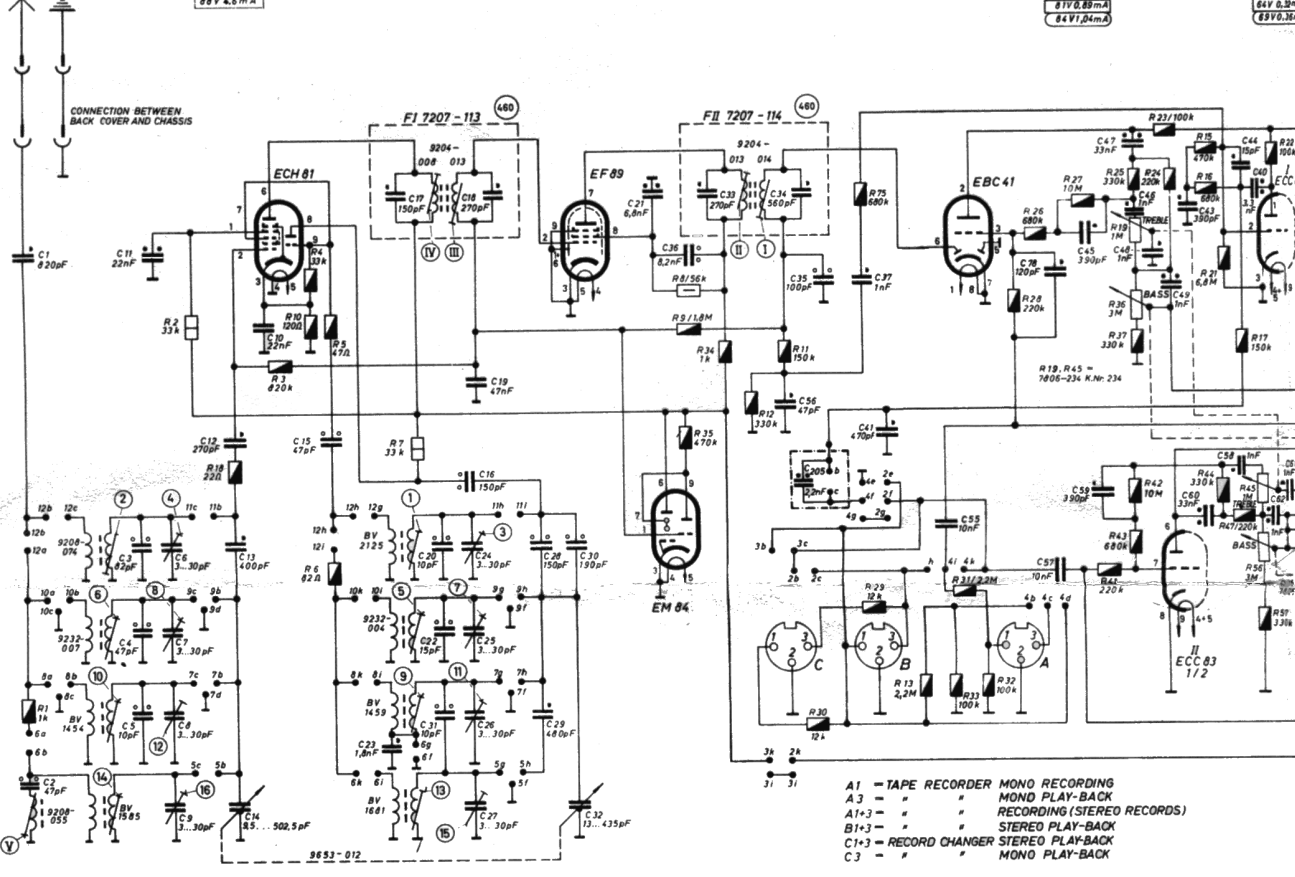
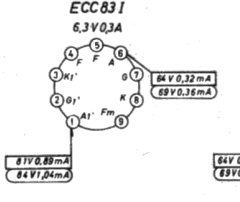
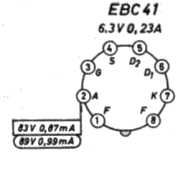
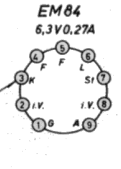
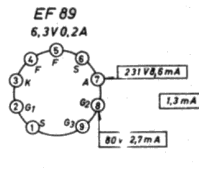
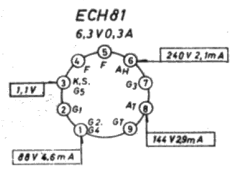
6AJ8

6DA6

6FG6

6CV7

12AX7



COIL SET NO - 7416-010  
BLOC BOBINAGE - 7416-010  
IF = 460 kc

WAVE RANGES:  
GAMMES D'ONDES:  
MW, OM 510... 1620 kc  
SW I, OC I 2... 6 Mc  
SW II, OC II 5,9... 15 Mc  
SW III, OC III 14,8... 26,5 Mc

VOLTAGES MEASURED TO CHASSIS WITH GRUNDIG  
VTVM AT 220VOLTS AC  
MEASURING VALUES VALID FOR MW, PU TUNING  
CONDENSER TURNED IN WITHOUT SIGNAL ON AERIAL

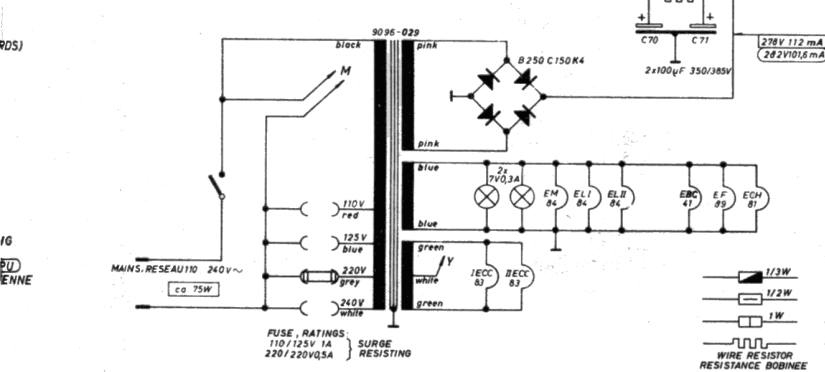
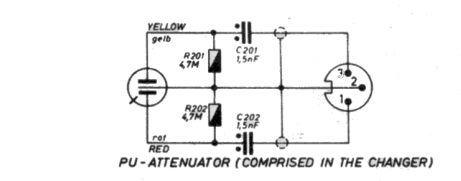
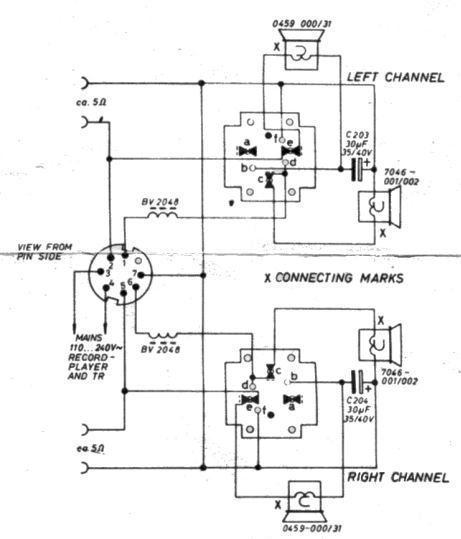
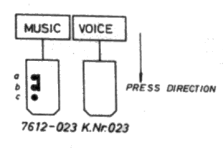
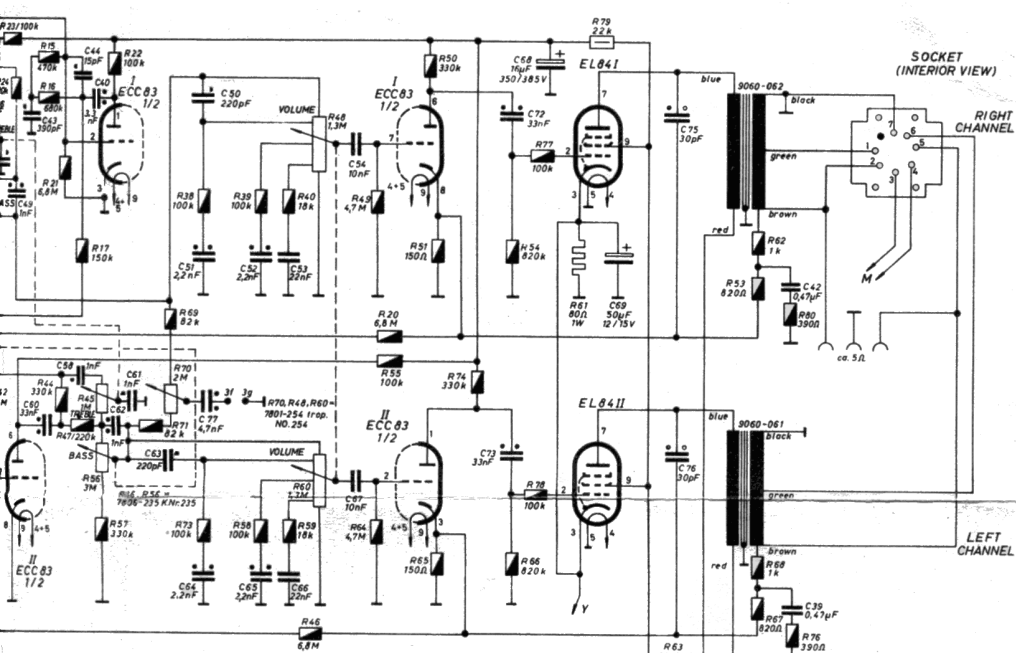
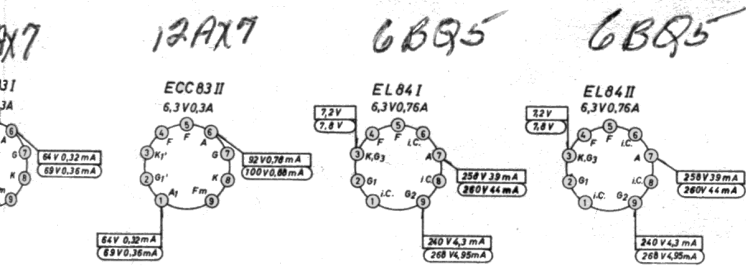
ALTERATIONS RESERVED

TENSIONS DE SERVICE MESUREES A CHASSIS AVEC GRUNDIG  
VOLTMETRE A LAMPE UNIVERSELLE A 220V CA.  
LES TENSIONS DE SERVICE SONT VALABLES POUR OM, PU  
CONDENSATEUR VARIABLE FERME SANS SIGNAL A L'ANTENNE

MODIFICATIONS RESERVEES

G Nr d 922

C:	1, 2,	3, 4, 5, 11, 6, 7, 8, 9,	12, 13, 14,	10,	15,	23, 17, 20, 22, 31, 16, 24, 25, 26,	28, 29, 30, 32,	21,	36, 33,	58, 34, 35, 205, 37,	41,	55,	78, 37, 45, 59, 47, 46, 48, 49,	60, 43, 44, 56, 40, 61,	28, 18,
R:	1,	2,	16,	3, 4, 10, 5, 6,	7,	8, 9, 35, 34,	12, 11, 30,	75, 29,	13, 33, 31, 32, 28, 26,	27, 41, 25, 18, 36, 37, 42, 43,	24, 23, 22, 17,	44, 42, 22, 6, 5,			



- 250V — PAPER PAPER
- 500V — PAPER PAPER
- 125V — POLYSTYRENE
- 500V — CERAMICS CERAMIQUE
- 700V — CERAMICS CERAMIQUE
- 1/3W — WIRE RESISTOR
- 1/2W — RESISTANCE BOBINEE

8, 19,	60, 43, 44,	58, 40, 82, 61,	63, 50, 51, 72, 64,	52, 65, 53, 66,	54, 67,	72, 73,	68,	69,	70, 75, 76, 71,	38, 42,	201, 202,	203, 204,
7, 42, 43,	24, 23, 20, 17,	44, 47, 22, 45, 56, 57, 68, 70, 36, 73,	39, 58, 40,	59, 46, 4, 8, 60,	49, 64, 20, 55,	50, 51, 65, 74,	54, 66, 77,	78, 61, 79,	63,	53, 67, 78,	201, 202,	203, 204,

**GRUNDIG WERKE FÜRTH (BAY.)**  
**„ Model SO 141 WE ”** (2118 - 201)  
**SO 142 WE** (2119 - 201)